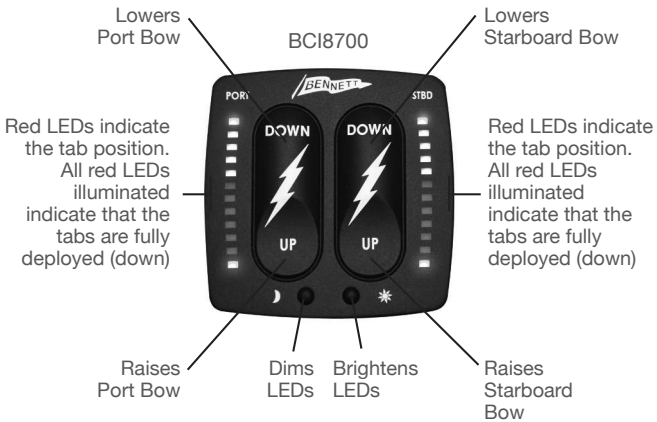


BOLT Control With Indication (BCI8000) Installation & Quick-start Instructions

For information on installing a complete BOLT Trim Tab System, please visit BennettTrimTabs.com/BOLT-Install

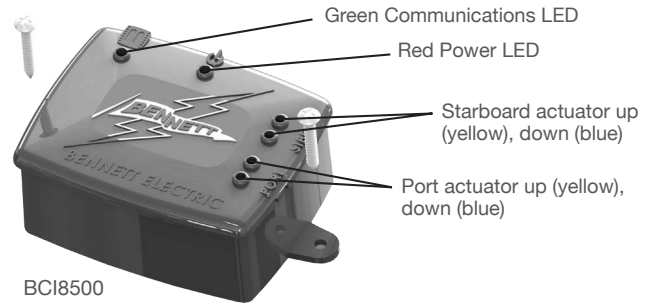
User Quick-start Guide



BCI Control Installation Instructions

- Before drilling any holes, read the entire instructions.
- Using the included template below, mark the locations for the 3/16" holes and the 1" center hole.
- Check carefully to ensure there are no obstructions behind the console before drilling any holes.
- Using a 1" diameter hole-saw, drill the center hole. Use a 3/16" drill for the four mounting stud holes.
- Place the helm display keypad onto the console, feeding the pre-connected wires through the 1" center hole while inserting the screws into each of the four holes.
- Once the control plate is properly seated, use the 4 white nylon thumb nuts provided to secure the display.
- Connect the orange wire to the power source for the gauges at the helm. This will power the control with all other dash devices.
- Connect the purple wire to the ignition switch (or any 12V circuit that turns ON and OFF with ignition) for auto tab retraction. This wire is used to initiate Auto Tab Retraction (ATR) when the ignition is switched to the OFF position. If ATR is not desired, this connection may be omitted.
- BCI requires calibration. See reverse side.

Diagnostics Relay Module Installation

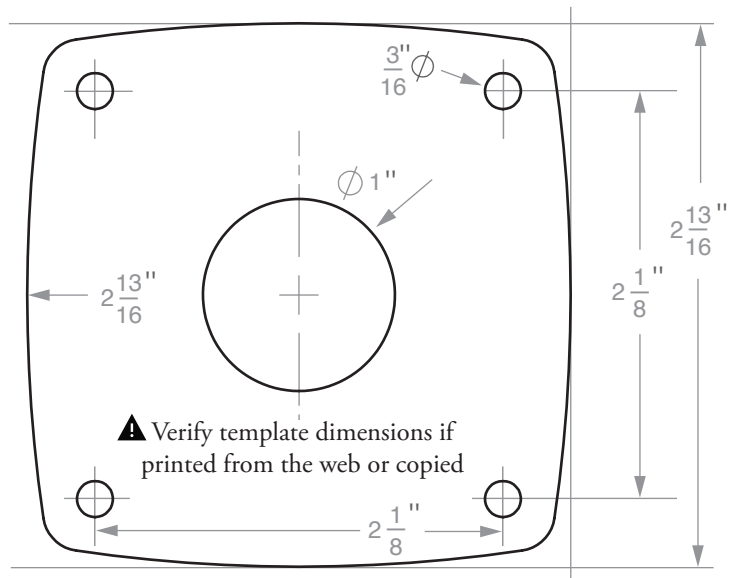
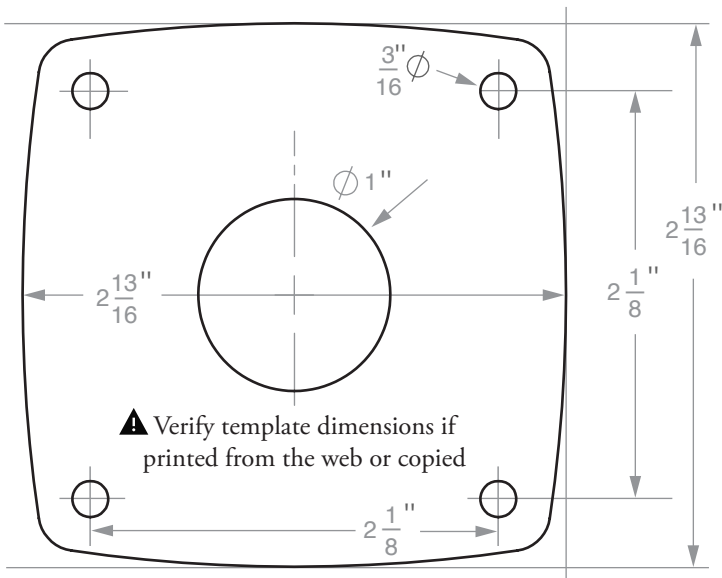


- Mount the Diagnostics Relay Module under the helm using the mounting hardware (2 screws provided) to secure it in place.
- Plug the (2) 20 ft. wire harnesses (BAW20XX) into the port and starboard actuators at one end. Then plug the other end of the (2) 20 ft. wire harnesses (BAW20XX) to the port and starboard plugs on the Diagnostics Relay Module (If cable length is not long enough, an extension is available).
- Plug the 3 ft. wire harness on the display to the 3 ft. wire harness on to the Diagnostics Relay Module (If cable length is not long enough, an extension is available).
- Find a suitable dry location and mount using #8 x 1/2" screws
- Connect helm control
- Plug the port yellow/blue 20ft. twisted cable (PN# BAW20XX) to the port connector on the BRC Rocker Control.
- Plug the starboard yellow/blue 20ft. twisted cable (PN# BAW20XX) to the starboard connector on the BRC Rocker Control. Connect ground (black wire) to ground bus
- Connect power (orange wire) to a supply capable of a 20A (12V), or 10A (24V)
- Press any button on the control to power up (connect battery or switch battery)
- See reverse side for system startup and wiring diagram



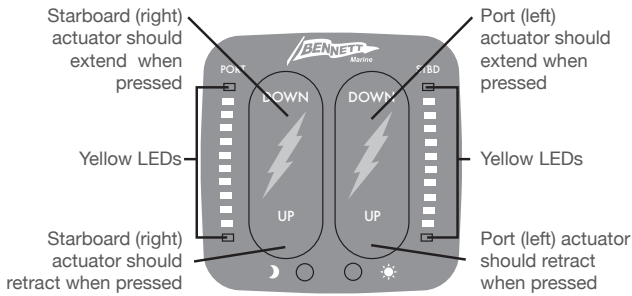
BCI Control Installation Templates

Both control templates below are identical. The second has been provided for dual station applications. Must be copied at 100% if replicated.



System Startup

The Bolt control system will perform a self-test on power up. During the self-test, the system will check for the presence of a working Bolt Actuator connected to both the Port and Starboard outputs of the relay module. If the system does not detect an actuator, the upper yellow LED will flash on the side that the error was detected.



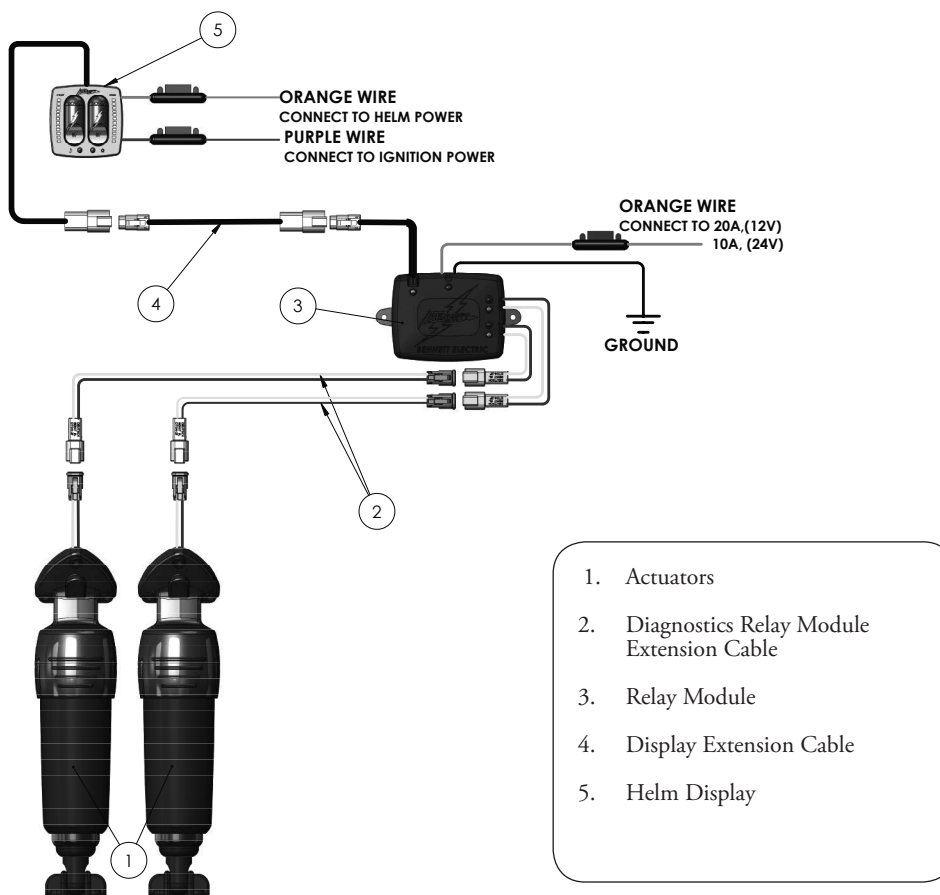
If either of the upper yellow LEDs is flashing, try to move the actuator using the control to confirm that there is a problem.

Check the electrical connections at the actuator and at the relay module if an extension cable is used. Verify that the plug and receptacle at each connection is properly seated.

Turn off power to the system and then repower to cause the system to go back through a self-test on power up. If the problem remains, switch the port and starboard output cables at the relay module. Power the system down and then repower to again cause the system to go through a self-test. If the problem switches sides and the opposite Yellow LED is now flashing on the BCI Display, then the problem is with the actuators. Disconnect the actuator and inspect the wire terminals. If one of the contacts has been pushed back in the connector, remove the wedge lock and push the connector forward until it clicks. Re-install the wedge lock and retest. For help with connectors visit BennettTrimTabs.com/ConnectorHelp. Repeat this process for the connection at the relay module if an extension cable is used.

If the unit continues to fail after checking the connections and the unit consistently fails on both Port and Starboard connections, then the problem is likely with the actuator. If the failure remains with the same LED on the same side (Port or Starboard) after the actuator connections are changed, then the failure is likely with the relay module.

BOLT Trim Tab System Wiring Diagram with BCI Control



Have questions?

We're here to help.



For product support, please call **1-866-894-1626 (Option #3)**, or email BMI_Info@Yamaha-motor.com.
Bennett Marine is a Division of Yamaha Marine Systems Company, Inc. - Learn more at BennettTrimTabs.com

For information on installing a complete BOLT Trim Tab System, please visit BennettTrimTabs.com/BOLT-Install